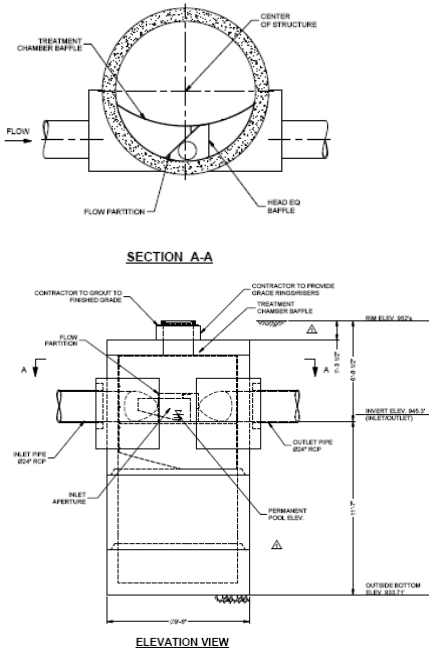


Whispering Woods Subdivision Stormwater Quality Units

Design



Structure Description

VortSentry 40
VortSentry 60
VortSentry 80

Engineer

Batson, Himes, Norvell, & Poe Engineering
Mike McTigue

Contractor

Grading Contractor: The Pipe Doctor, Inc.

Comments

Each Stormwater Quality Unit was sized specific to a First Flush Flow Rate determined by Knox County regulations. Each Stormwater Quality Unit will provide a maintenance point for sediment and debris before entering into the downstream Detention Pond.

