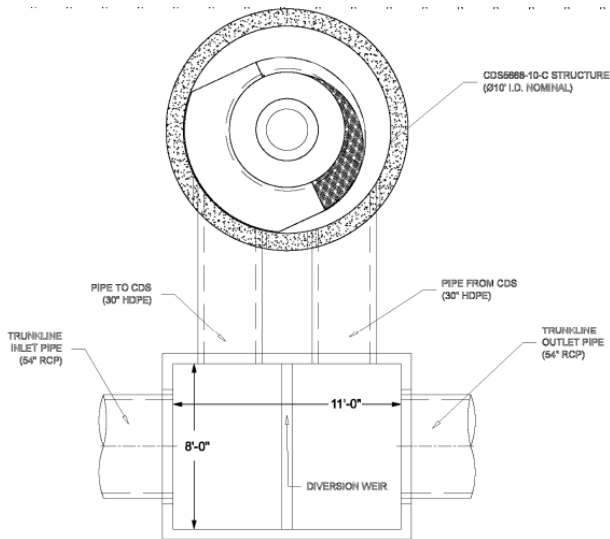


University of Tennessee – Student Center Stormwater Quality Unit

Design



Structure Description

CDS 5668-10-C

Engineer

CDM Smith – Greg Presnell
www.cdmsmith.com

Contractor

General Contractor: Rentenbach
Grading Contractor: Del-Air Mechanical

Comments

The internals of the CDS unit were installed inside a 10' diameter manhole. The CDS unit sits in an off-line configuration with the first flush stormwater flow of 17.1 cfs being diverted into the CDS unit by a diversion box and weir. The by-pass flow of over 140 cfs will be directed downstream.

